



Type 3 for steam-operated systems

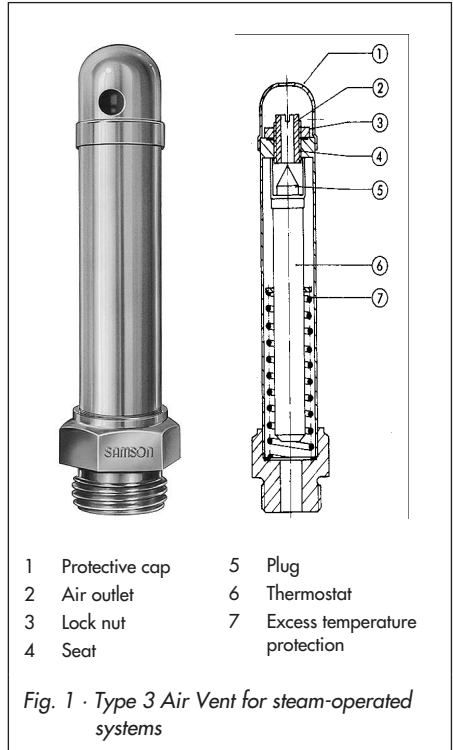
1 Design and principle of operation

The air vents for steam-operated systems essentially consist of a thermostat with a seat and plug.

The air vents operate according to the liquid expansion principle. Any changes in temperature at the thermostat cause the plug to move in either closing or opening direction.

The air vents for steam-operated systems operate with a thermostat which is filled with an expansion liquid. When the temperature at the thermostat increases, the liquid expands and moves the plug stem with the attached plug in the closing direction, causing the plug to close the seat tightly.

When taking the steam system into operation, the cold air can escape until the incoming steam has heated the thermostat, thus closing the vent. When shutting down the system, the thermostat cools down and the vent opens. In this way, neither air pockets nor a vacuum can occur.



- | | |
|------------------|---------------------------------|
| 1 Protective cap | 5 Plug |
| 2 Air outlet | 6 Thermostat |
| 3 Lock nut | 7 Excess temperature protection |
| 4 Seat | |

Fig. 1 · Type 3 Air Vent for steam-operated systems

2 Installation

The air vent must be installed at the highest point of the pipeline or the plant to be vented. The air vents must be installed in the upright position.

3 Operation

The closing point of the air vent can be adjusted between 95 °C and 160 °C.

In the delivered state, the air vent is adjusted to ensure tight shut-off at 95 °C. If this setting is to be changed, remove the protective cap

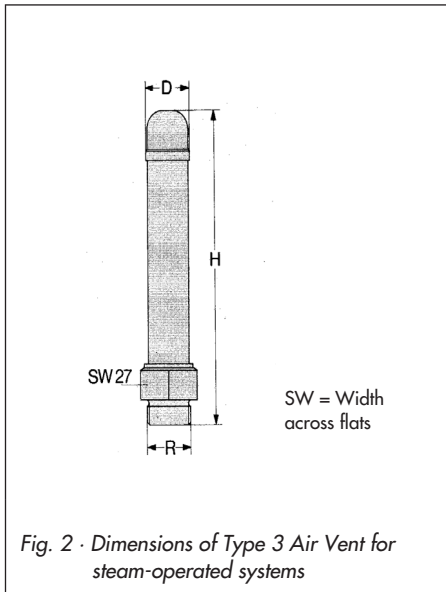
(1). Undo the lock nut (3) and use a screwdriver to adjust the seat (4).

Turning the seat counterclockwise increases the temperature at which the air vent closes. Turning it clockwise reduces it. One turn of the seat corresponds to a change of approx. 25 °C.

4 Dimensions in mm

Dimensions in mm and weights

R	G ½
Ø D	21
H	129
Weight, approx. kg	0.18



SAMSON AG · MESS- UND REGELTECHNIK
Weismüllerstraße 3 · 60314 Frankfurt · Germany
Phone: +49 69 4009-0 · Fax: +49 69 4009-1507
Internet: <http://www.samson.de>

EB 1-0520 EN

S/Z 2008-04