

## Application

Industrial on/off and control applications

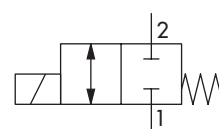


## General

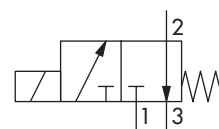
The Type 3941 Solenoid Valve is used for industrial on/off and control applications. Different nominal signals and switching functions result in versatile use.

## Special features

- Solenoid and poppet valve with return spring
- 2/2 or 3/2-way function
- $K_{VS}$  0.16
- Operating pressure max. 10 bar
- Corrosion-resistant body with degree of protection IP 65
- Threaded connection G  $\frac{1}{4}$  for pipe mounting
- Ambient temperatures from  $-10$  to  $+50$  °C
- Nominal signal 24 V DC or 230 V AC, other nominal signals on request
- Connector according to DIN EN 175301-803, type A



2/2-way function



3/2-way function

Fig. 1: Type 3941 Solenoid Valve

## Technical data

General data	
Design	Solenoid and poppet valve with return spring
Switching function	2/2 or 3/2-way function
Control	Direct actuated electrically on one side
Material	Body: black polyamide and stainless steel 1.4305 Internal parts: stainless steel Short-circuit ring: copper Gaskets: nitrile butadiene rubber
Degree of protection	IP 65 (with mounted cable socket)
Mounting position	Any position (preferably with the solenoid in the upright position)
Attachment	Threaded connection 1/4"
Ambient temperature	-10 to +50 °C
Approx. weight	0.42 kg
Electric data	
Nominal signal	24 V DC ( $\pm 10\%$ ) or 230 V AC ( $\pm 10\%$ ), 50 Hz, other nominal signals on request
Power consumption	10 W (DC), 21.5/13.5 VA (AC)
Duty cycle	100 %
Connection	Connector according to DIN EN 175301-803, type A, 3-pole
Fluid data	
Medium	Air, water or hydraulic oil (without additives)
Viscosity	22 mm <sup>2</sup> /s
Medium temperature	-10 to +80 °C
$K_{VS}$ <sup>1)</sup>	0.16
Output signal	Same as the operating pressure
Operating pressure	10 bar
Connection	Threaded connection G 1/4 (ports 1 and 2), threaded connection G 1/8 (port 3)

<sup>1)</sup> The air flow rate when  $p_1 = 2.4$  bar and  $p_2 = 1.0$  bar is calculated using the following formula:  
 $Q = K_{VS} \times 36.22$  in m<sup>3</sup>/h.

Dimensions

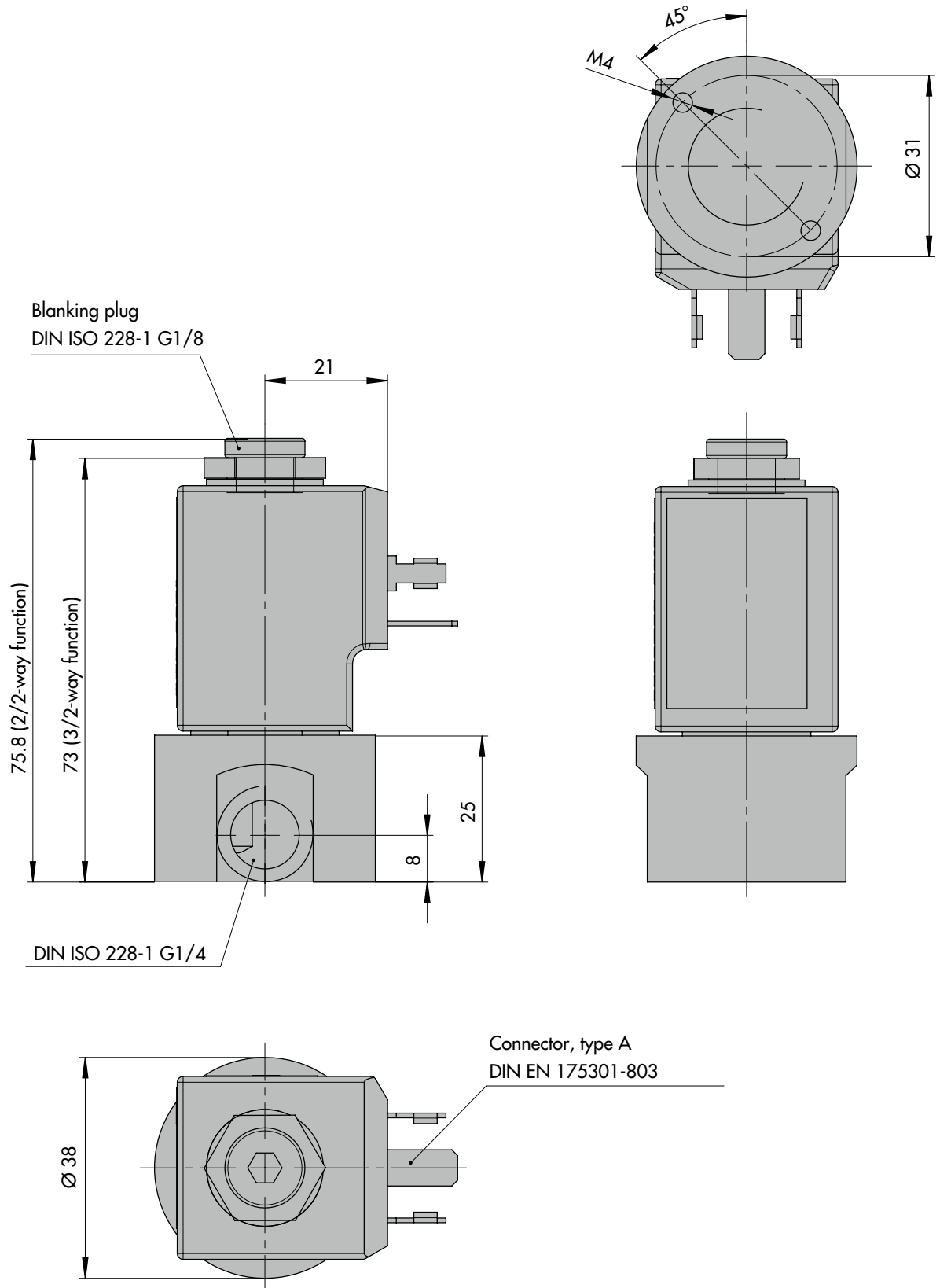


Fig. 2: Dimensions in mm

## Ordering data

Solenoid valve		Type 3941- 0 0 0 x 0 x 1 0 1 0 0 0 0 0 0 0 0																		
Nominal signal	24 V DC	3																		
	230 V AC	5																		
Manual override	Without		0																	
Switching function	3/2-way function			0																
	2/2-way function			1																
Attachment	Threaded connection for wall or pipe mounting				1															
K <sub>V5</sub> coefficient	0.16					0														
Pneumatic connection	G ¼						1													
Body material	Stainless steel								0											
Gasket material	NBR									0										
Electrical connection	Connector according to DIN EN 175301-803, type A, 3-pole (without cable socket)										0									
Degree of protection	IP 65																		0	
Permissible ambient temperature	-10 to +50 °C																			0

## Accessories and spare parts

Designation	Order no.
Blanking plug G ⅛, stainless steel (for threaded connections)	8323-0028
Seal ⅛" (for blanking plug)	8414-0136
Silencer made of polyethylene, G ⅛ connection, degree of protection IP 54	8504-0065
Cable socket according to DIN EN 175301-803, made of black polyamide, type A, 3-pole, with Pg 9 cable gland and gasket of nitrile butadiene rubber	0790-6658

Specifications subject to change without notice.



SAMSOMATIC GMBH · A member of the SAMSON GROUP  
 Weismüllerstraße 20 · 22 · 60314 Frankfurt am Main, Germany  
 Phone: +49 69 4009-0 · Fax: +49 69 4009-1644  
 samsomatic@samsomatic.de · www.samsomatic.de

**T 3941 EN**