

Pneumatic Rotary Actuator Type AT • VETEC Version counterclockwise rotation for Type 72, 73, 82

Application

For automatic actuation of rotary plug valves, ball valves and butterfly valves.

Usage	Throttling service and on/off service
Design	Double piston and internal springs • single-acting or double-acting
Actuator motion	Rotary
Rotary direction	Closing counterclockwise
Rotary angle	75°
Sizes	60 to 10000

Opening angle:

- 75° for VETEC valves

Spring position:

- Multi-spring, symmetric

Spring torques:

- 13 to 2207 Nm

Supply air range:

- 3 to 6 bar

Ambient temperature range:

- Standard:
 - 40 to +80 °C/- 40 to +176 °F
- LLT extrem low temperature:
 - 55 to +80 °C/- 67 to +176 °F

Mounting of accessories:

- VDI / VDE 3845

Principle of operation:

The Type AT Actuator is a single-acting piston actuator. Thanks to different spring combinations, the required torques for special applications can be implemented easily.

Its special design allows the actuator to be used with different opening angles.

The actuator can be equipped with additional manual gears as well as end stops.

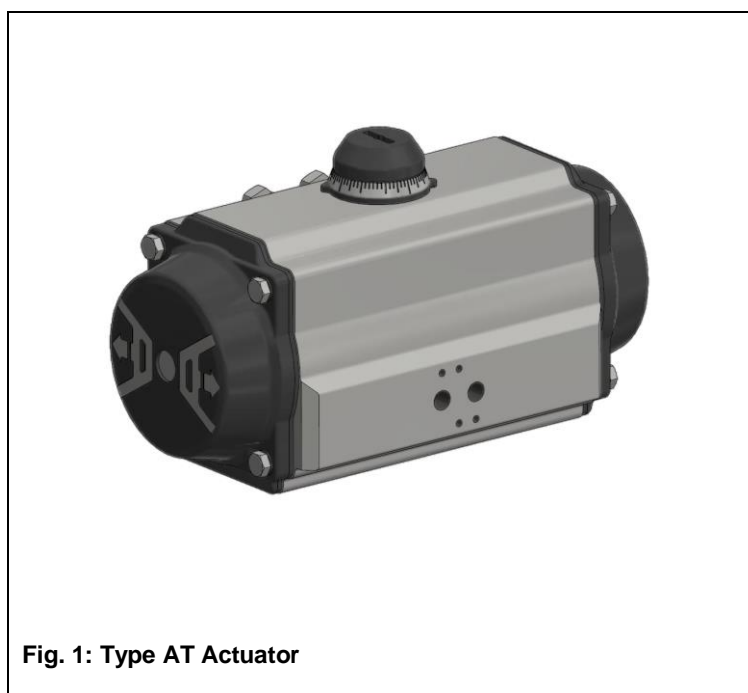


Fig. 1: Type AT Actuator

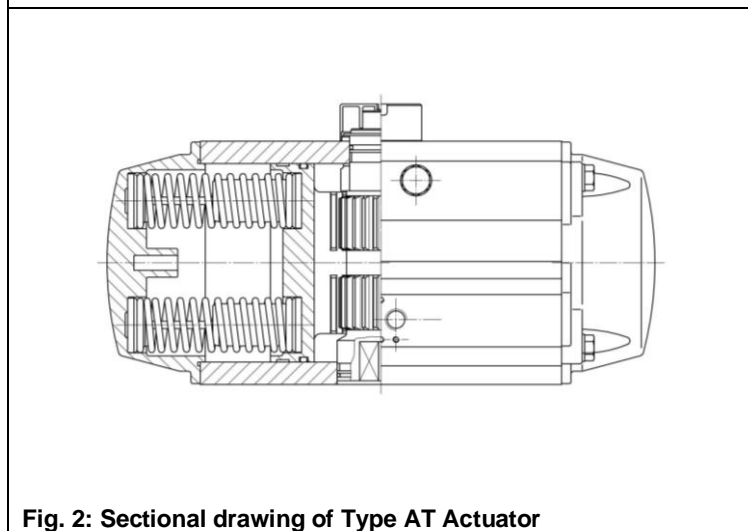



Fig. 2: Sectional drawing of Type AT Actuator

Table 1: Technical data

Type		60	100	150	220	300	450
Version		Piston					
Spring position		Multi-spring, symmetric					
Opening angles		75° for VETEC valves					
Spring range	Nm	13 - 26	22 - 44	30 - 60	49 - 98	63 - 126	99 - 198
Supply air range	bar	3 to 6					
Temp.-range	O-ring NBR standard	- 40 to +80 °C					
	O-ring Viton high temp.	- 15 to +150 °C					
	O-ring silicone cryogenic temp.	- 55 to +80 °C					
Weight w/o yoke	kg	2,7 – 3,1	3,8 – 4,4	5,1 – 6,0	8,1 – 9,4	10 – 12	14 – 17
Manual gear							


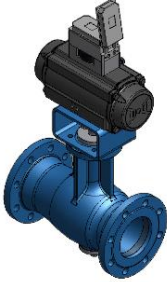
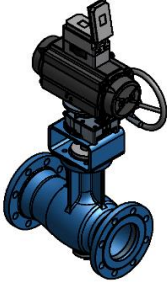
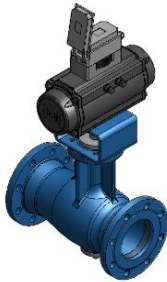

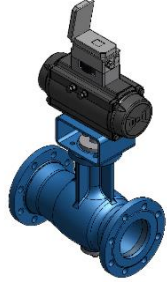

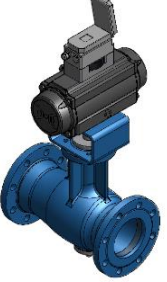

Type		600	900	1200	2000	3000	5000
Version		Piston					
Spring position		Multi-spring, symmetric					
Opening angles		75° for VETEC valves					
Spring range	Nm	135 - 269	100 - 379	255 - 510	433 - 865	655 - 1309	1104 - 2207
Supply air range	bar	3 - 6					
Temp.-range	O-ring NBR standard	- 40 to +80 °C					
	O-ring Viton high temp.	- 15 to +150 °C					
	O-ring silicone cryogenic temp.	- 55 to +80 °C					
Weight w/o yoke	kg	18 – 21	24 – 33	34 – 44	54 – 64	76–96	118-150
Manual gear							

Fig. 3: Attachment types

! NOTICE

For control valves with manual gear, check attachment types B and D due to the risk of collision with the pipeline.

			
Attachment type A	Attachment type A, manual gear	Attachment type B	Attachment type B, manual gear
			
Attachment type C	Attachment type C, manual gear	Attachment type D	Attachment type D, manual gear

VETEC Ventiltechnik GmbH

Siemensstraße 12 · 67346 Speyer

Telefon: 06232 6412-0 · Fax: 06232 42479 · E-mail: vetec@vetec.de · Internet:
www.vetec.de